

WiFi access point & bridge for industrial fields

In Brief ...

IEEE 802.11b
WiFi 2,4 GHz

Certified
RF module



WL-BRIDGE



Weather Proof
IP65



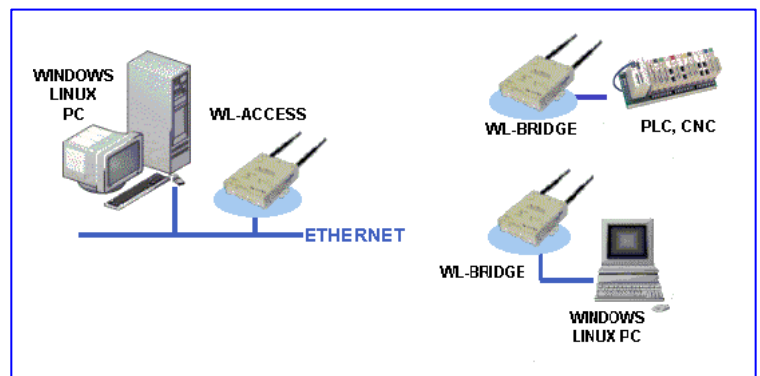
WL-ACCESS

WL-BRIDGE

- Connect any wired Ethernet device to the WiFi wireless network

WL-ACCESS

- Access point enables to build a WiFi network from the wired Ethernet network



Bring mobility to your equipments with WL-BRIDGE & WL-ACCESS

EASE OF INSTALLATION

Thanks to the built-in HTML configuration system which makes it possible to setup the device from any Internet web browser (Internet explorer, Netscape, Mozilla, ...).

INTERCONNECTABILITY

Ease of installation, thanks to the instant display of the WiFi RF level.

Works with any Ethernet 10/100 Mbps equipment and any IEEE 802.11b and IEEE 802.11g WiFi networks.

UNIVERSAL POWER SUPPLY

Built-in power supply, AC or DC models available.

UNIVERSAL MOUNTING

Case, wall, din-rail or outdoor universal mounting (IP65 weather proof models).

5-YEAR WARRANTY



TECHNICAL CHARACTERISTICS OVERVIEW

WL-BRIDGE	The WL-BRIDGE device can work in a network topology (Access Point in Client mode) and in AD-HOC mode (Access Point in Peer to Peer or Multipoint mode) ; it can connect to any IEEE 802.11b or IEEE 802.11g access point.
WL-ACCESS	WiFi access point : Any IEEE 802.11b or IEEE 802.11g device can connect to the WL-ACCESS.
Ethernet network	10/100 compatible RJ45 connector Ethernet interface.
WiFi network	Compliant to the IEEE 802.11b, DSSS, 2.4 GHz wireless 11 Mbps Ethernet recommendation, 300 m nominal range (open space), 60 m in other cases, the 11 Mbps data rate is automatically reduced (auto-fallback system) to 5.5, 2 and 1 Mbps for greater range and/or better signal immunity, built-in antenna and RSMA external antenna connector for long distance (up to 20 Km depending to countries).
Channels	13 channels for Europe, 11 channels for USA & Canada, 14 channels for Japan.
Sensibility	Transmitter +15 DBm, receiver –84 DBm (typical).
RF modulation	CCK, BPSK, QPSK.
Security	4 independent 64/128 bits WEP « Wired Equivalent Privacy » keys (alphanumerical or hexadecimal).
Administration	From a web browser, no specific software is needed on the computer
Operating systems	Windows & Linux.
Signalling	LEDs indicates the WiFi RF radio level and quality (WL-BRIDGE only) and LAN & WLAN activity.
Power Supply	Built-in 85-264VAC universal power supply or DC (+9VDC to +36VDC).
Consumption	3 Watts.
Environment	Operating temperature : 0 to +50°C, WP models : -25° to +80°C, HR 90% Storage : -40 to +70°C.

HOT LINE
01 39 11 62 81

References to order

WL-ACCESS	Ethernet to WiFi IEEE 802.11b access point, built-in AC power supply, dual antennas and RSMA connector for external long range antenna.
WL-BRIDGE	Ethernet to WiFi IEEE 802.11b bridge built-in AC power supply, dual antennas and RSMA connector for external long range antenna.
	Add the –DC suffix for DC power supply models (+9VDC to +36VDC) Add the –WP for outdoor weather proof IP65 models

All the brand names mentioned in this document are trademarks. ACKSYS is constantly looking at ways to improve its products. The current specifications may therefore be modified without notice and the characteristics set out herein should not be construed as creating any contractual obligation. All the products featured herein are designed and manufactured in Europe.